



Optimal productivity

- Continuous 360° turntable rotation
- Full proportional controls and simultaneous boom functions
- Narrow turning radius (3.9 m)
- Zero tailswing

Outstanding rough terrain driving features

- 4 wheel steer and 4 wheel drive mean greater manoeuvrability
- Industry leading 13.5 m outreach
- Hydraulic differential lock
- 42 cm ground clearance

Robust, reliable and easy to maintain

Haulotte 
GROUP

More than lifting





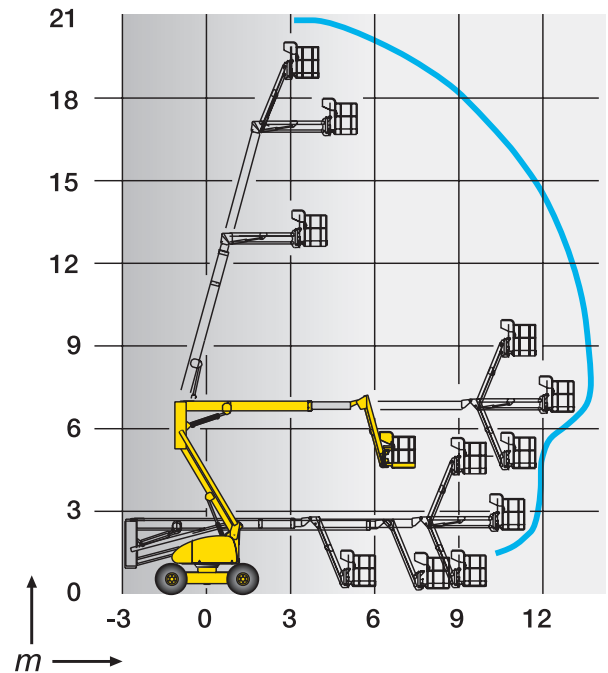
HA20 PX

ROUGH TERRAIN ARTICULATING BOOMS

TECHNICAL DATA

HA20 PX

| | |
|-----------------------------------|-------------------|
| Working height | 20.65 m |
| Platform height | 18.65 m |
| Horizontal outreach | 13.5 m |
| Up and over clearance | 6.8 m |
| Lift capacity | 230 kg |
| F x G Platform size | 1.8 x 0.8 m |
| A Length | 8.93 m |
| B Width | 2.38 m |
| C Height - stowed | 2.67 m |
| H Transport length | 6.8 m |
| Transport height | 3.1 m |
| Vertical jib rotation | 140° (+70/-70) |
| Platform rotation | 180° (+90/-90) |
| Turntable rotation | 360° |
| Tailswing | 0 m |
| D Wheelbase | 2.8 m |
| E Ground clearance | 42 cm |
| Tilt | 5° |
| Drive speed | 0.5 - 4.5 km/h |
| Gradeability | 40 % |
| Turning radius - outside | 3.9 m |
| Tires - foam-filled | 385/65-22.5 |
| Power source | 33.2 kW - 45.1 hp |
| Weight | 11 710 kg |



STANDARD EQUIPMENT

- 4 wheel drive and steer
- Continuous 360° turntable
- Safe to use in winds up to 45km/h
- 150 l fuel tank; 1.50 m filling height
- 5° tilt alarm
- 12 V battery / electrical control system
- Auxiliary power in platform
- Brake release
- Hourmeter
- Slewing block pin
- Towing hooks / lifting eyes

OPTIONS AND ACCESSORIES

- Power to platform
- 3.3 kW on-board generator (belt driven)
- Large platform 2.44 x 0.8m
- Travel alarm
- Rotating beacon
- Working light
- Catalytic exhaust
- Biodegradable hydraulic oil
- Cold weather package
- Warm environment kit
- Non marking tires
- Flashing light
- 60 km/h wind package (maximum capacity 250 kg ; machine weight 12,260 kg)

